

## ASECA SAND FILTER

### About Us

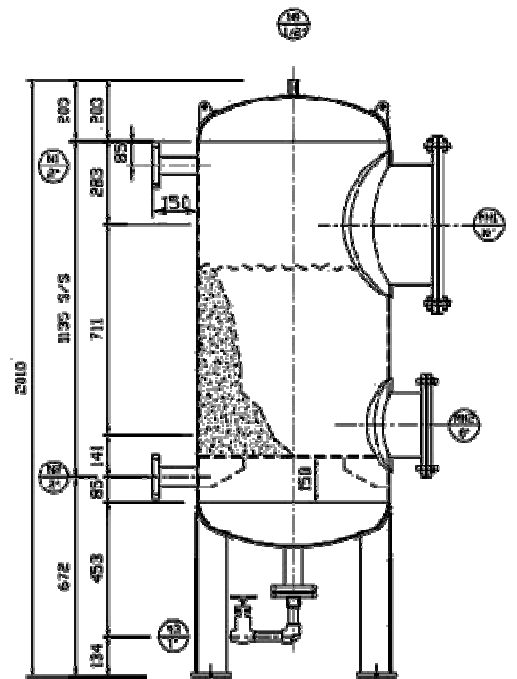
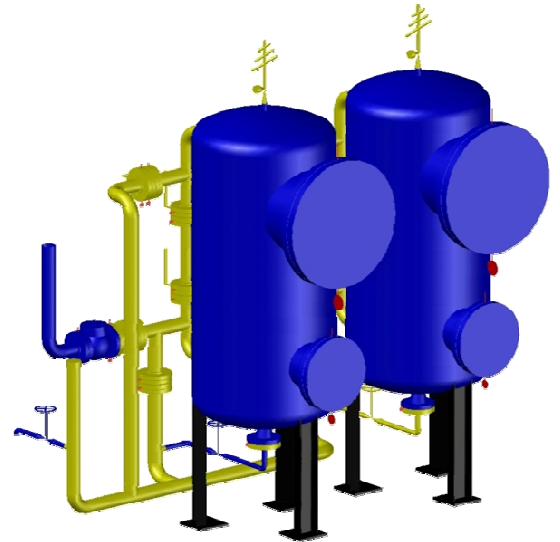
**PT Alfa Semesta Cemerlang** is a pressure vessel accessories manufacturing company that has been established since 2009. Not only that, we are also a contractor engaged in engineering, procurement and construction. We have had various experiences in the field of pressure vessel fabrication with some of the largest clients in Indonesia, namely PT Pertamina, PT Medco Energy Tbk, PT GMF Aero Asia Tbk, etc.

Our flagship product which is a purely local product made by **PT Alfa Semesta Cemerlang** is **Mesh Demister & Sand filter**

### About ASECA Sand Filter

Looking at the current environment that is starting to be unstable due to human actions themselves which then cause pollution in the environmental ecosystem and reduce the quality of nature itself, one of which is water, water becomes reduced in quality so that the category for consumption or use becomes a crisis. We provide services to support public needs for the occurrence of inconvenience due to an unstable environment, namely **ASECA Sandfilter**, an innovation issued by **PT Alfa Semesta Cemerlang** in order to care by continuing to have sustainable principles. The following below are the standard specifications we use

Material of Tank	SS400, SA516-70, A36, SS304, & SS316
Thickness	Depend Vessel Material & Design Pressure
Material of Flange Class	SS400, CS, SS304 & SS316 ANSI 150, 300, JIS 10K & 5K
Material of Noozle	PVC, Etc
Size Media Filter	8-16, 16-30, & Etc
Inner Lining	FRP Lining & Rubber Lining



## Product Benefits

**ASECA Sandfilter** provides the advantage of making the water produced from the source clearer and purer by using natural media from nature. With that, it will ensure that every water we use will always be maintained in quality.

## Design & Manufacturing Spesification

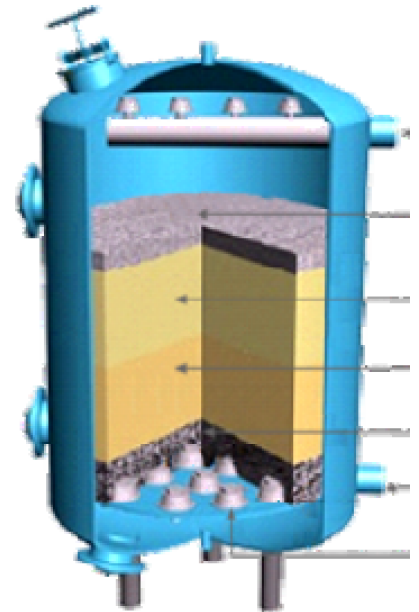
All series of detailed specifications and designs have passed quality control and careful calculations from the engineering team of *PT Alfa Semesta Cemerlang*.

### Key Features

- **ASECA Sandfilter** can use material specifications according to customer requirements
- Easy to operate
- Easy to install, don't need special tool for installation
- Can customize painting type according to needs
- Standard manufacturing ASME.

### Type Of Nozzle

- PVC Nozzle
- Strainer Nozzle
- Lateral Nozzle



## Noozle Specification

PT Alfa Semesta Cemerlang engineering team has carried out measurements and calculations for **ASECA Sandfilter**, which resulted in the following types of Noozle Strainer :

### 1. PVC Noozle

Using PVC material which is further customized by the engineering team of **PT Alfa Semesta Cemerlang** which is adjusted by the needs in the field.

### 2. Tube Sheet Strainer Noozle

Strainer Noozle Advantages

**Best Design:** Specially designed to improve filtration efficiency and prevent clogging.

**Durable:** Made of high-quality materials for a long service life.

**Excellent Performance:** Maximizes liquid flow and reduces maintenance time.

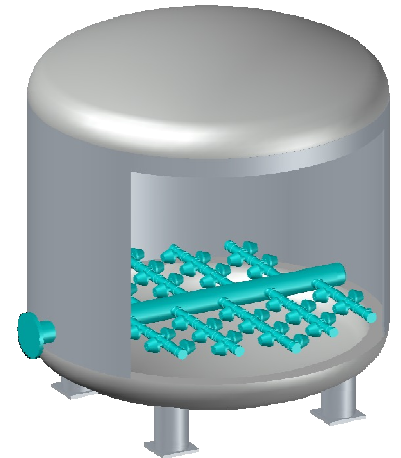
**Wide Range of Applications:** Suitable for various industries, such as chemical, food & beverage, oil & gas, and so on.

**Best Results:** Guarantees high quality liquid without harmful particles.

### 3. Lateral Noozle

Has a better advantage than Noozle Strainer because it is made of PP (Polypropylene) which is strong against ammonia ag 10%, Formaldehyde ag 10%, isopropanol all concentrations, methanol ag 50%, caustic soda solutions 50%, hydrochloric acid 50%, sulfuric acid 50%.

soda water, ozone 20 degrees Celsius, 50pphm (0.5ml/L)



## Sand Media Specification

We PT Alfa Semesta Cemerlang also provide the widest possible customization for user needs, therefore you provide offers of various types of sand specifications that will be used. Here are some specifications of the sand filter :

### Silica Sand Mesh & Gravel

Silica sand serves to remove turbidity and trap impurities in water samples. Activated charcoal serves to remove odor and color. Palm fiber serves to filter out particles that have escaped the previous layer and flatten the flow of water.

#### Size Silica Sand Mesh :

- 8 – 16
- 10 – 14
- 14 - 20
- 16 - 30
- 20 – 40

#### Size Silica Sand Gravel :

- 2 - 4
- 4 - 8
- 3 - 5
- 6 - 8

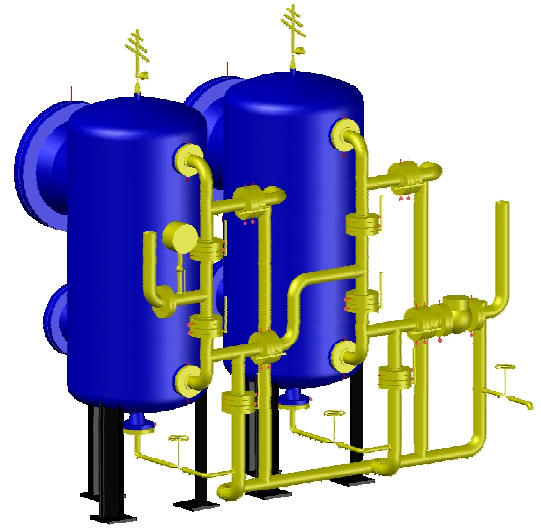


#### Size Silica Rock Mesh :

- 5 - 7 (mm)
- 5 - 10 (mm)

#### Size Silica Sand Flour :

- 100
- 325



### ASECA Media Sand Benefits :

The use of sand filters in water production has several benefits, including:

1. **Removing large particles:** Sand filters are very effective in removing large particles, such as dust, dirt, and organic particles from water. This helps to improve water quality and prevent damage to water production equipment.
2. **Removes bacteria and viruses:** Sand filters can remove most bacteria and viruses from water, resulting in water that is safe for consumption.
3. **Reduces the need for additional treatment:** By removing large particles and microorganisms from water,

## Carbon Active Specification

We PT Alfa Semesta Cemerlang also provide the widest possible customization for user needs, therefore you provide offers of various types of Carbon Active specifications that will be used. Here are some specifications of the Carbon Active filter :

### Carbon Active

As a drinking water filter, people in big cities are benefiting from it. And here we will describe some of the functions and uses of carbon active in terms of drinking water filtration, including: Absorb odors, Purify water, Eliminate Chlorine, Provide a fresh taste for water when consumed, Eliminate various water contamination



Carbon Active Size IOD > 500 :

- 4 - 8
- 6 - 12
- 8 - 16
- 6 - 8

Carbon Active Size IOD > 900 :

- 8 - 20



## WHY THEY CHOOSE US ?

**PT Alfa Semesta Cemerlang**, has implemented many plans and our commitment to provide services for clients with better conditions, competitive and mutually beneficial. As well as aligning the increasing business growth to ensure business continuity by placing human resources as company assets.

We are committed to always follow client requests that require varied designs. Therefore, **PT Alfa Semesta Cemerlang** always creates and accommodates all requests with our commitment, skills, experience and best technology.

**PT Alfa Semesta Cemerlang** also develops consortium to execute the job.

Innovation and creativity are the two main strengths of PT. Alfa Semesta Cemerlang.



## PT Alfa Semesta Cemerlang

**Bekasi Head Office**

**Jl. Mess Al Jatisampurna**

**Wahana Pondok Gede**

**Blok D6/22**

**Indonesia**

**+62-21-29062206**

**[www.alfasemesta.com](http://www.alfasemesta.com)**

**[www.alfasemesta.co.id](http://www.alfasemesta.co.id)**

**[marketing@alfasemesta.com](mailto:marketing@alfasemesta.com)**

**Jatiasih Workshop**

**Jl. Raya Mess Al No.50**

**Jatiraden, Jatisampurna, Kota Bekasi**

**Indonesia**

**+62-21-29062206**

**[www.alfasemesta.com](http://www.alfasemesta.com)**



**Scan And Find Out  
More About Us**